

Product data sheet

Characteristics

TM171AMB

Modicon M171 Performance Plug-in Modbus SL

Product availability: Non-Stock - Not normally stocked in distribution facility

Price*: 57.92 USD



Main

Range of Product	Modicon M171
Product or Component Type	Communication module
Communication Port Protocol	Modbus RTU RS485

Complementary

Integrated connection type	RS485 wire crimp - twisted pair
Adjustment	Pitch 3.81 mm
Electrical connection	Removable screw terminal block
Physical interface	90° insertion - 0.00 in ² (2.5 mm ²) cable
Supply	Via base board EVD/EVC
Product Compatibility	Logic controller M172 performance Logic controller M171 performance
Net Weight	0.17 Lb(US) (0.077 kg)

Environment

Product Certifications	EAC CSA CE CURus
Marking	CE
IP Degree of Protection	IP20
Ambient Air Temperature for Operation	14...131 °F (-10...55 °C)
Ambient Air Temperature for Storage	-4...185 °F (-20...85 °C)
Relative Humidity	10...90 % without condensation

Ordering and shipping details

Category	22537 - M171 / M172 HVAC CONTROLLERS
Discount Schedule	PC12
GTIN	03606480752520
Nbr. of units in pkg.	1
Package weight(Lbs)	5.86 Oz (166 g)

Returnability	No
Country of origin	IT

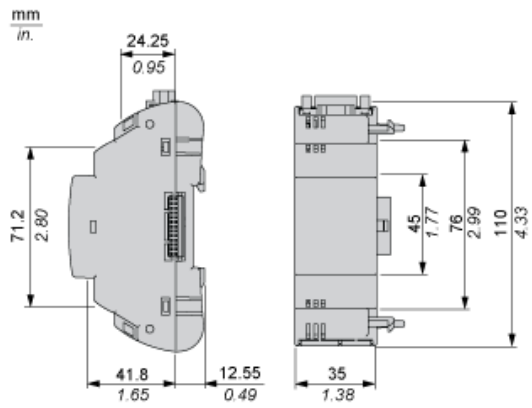
Packing Units

Unit Type of Package 1	PCE
Package 1 Height	5.12 In (13 cm)
Package 1 width	3.58 In (9.1 cm)
Package 1 Length	7.28 In (18.5 cm)
Unit Type of Package 2	S02
Number of Units in Package 2	6
Package 2 Weight	2.88 Lb(US) (1.306 kg)
Package 2 Height	5.91 In (15 cm)
Package 2 width	11.81 In (30 cm)
Package 2 Length	15.75 In (40 cm)

Offer Sustainability

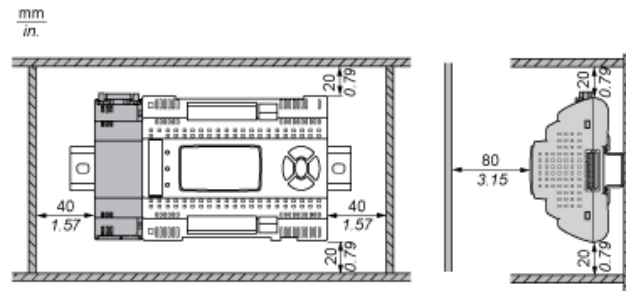
California proposition 65	WARNING: This product can expose you to chemicals including: Lead and lead compounds, which is known to the State of California to cause cancer and birth defects or other reproductive harm. For more information go to www.P65Warnings.ca.gov
REACH Regulation	REACH Declaration
REACH free of SVHC	Yes
EU RoHS Directive	Pro-active compliance (Product out of EU RoHS legal scope) EU RoHS Declaration
Mercury free	Yes
RoHS exemption information	Yes
China RoHS Regulation	China RoHS Declaration
WEEE	The product must be disposed on European Union markets following specific waste collection and never end up in rubbish bins.

Dimensions

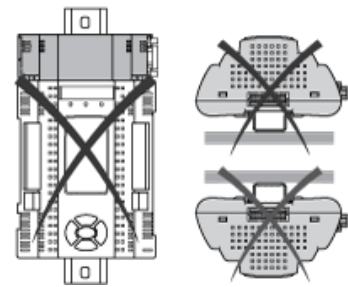


Mounting and Clearance

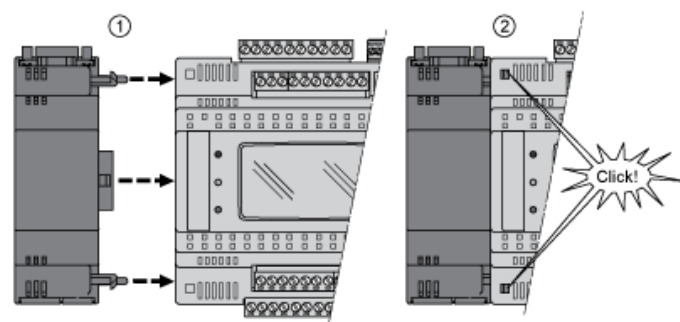
Clearance



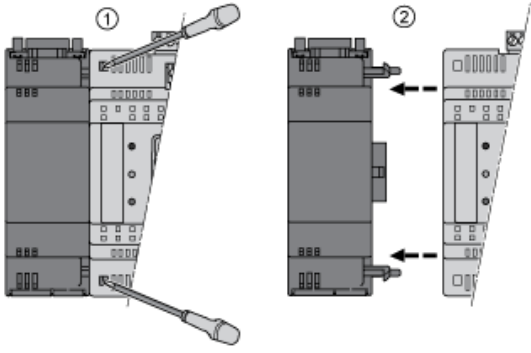
Misplacement



Mounting on Controller



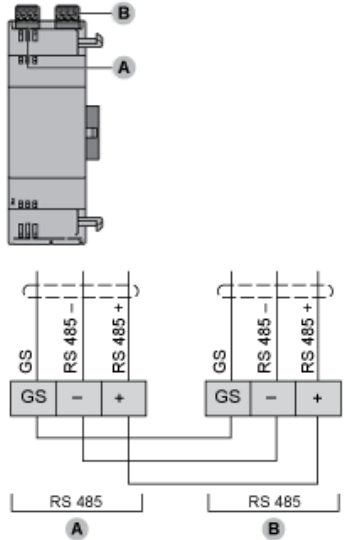
Dismounting



Connections and Schema

RS 485 Communication Module

TM171AMB



Product Life Status : Commercialised